

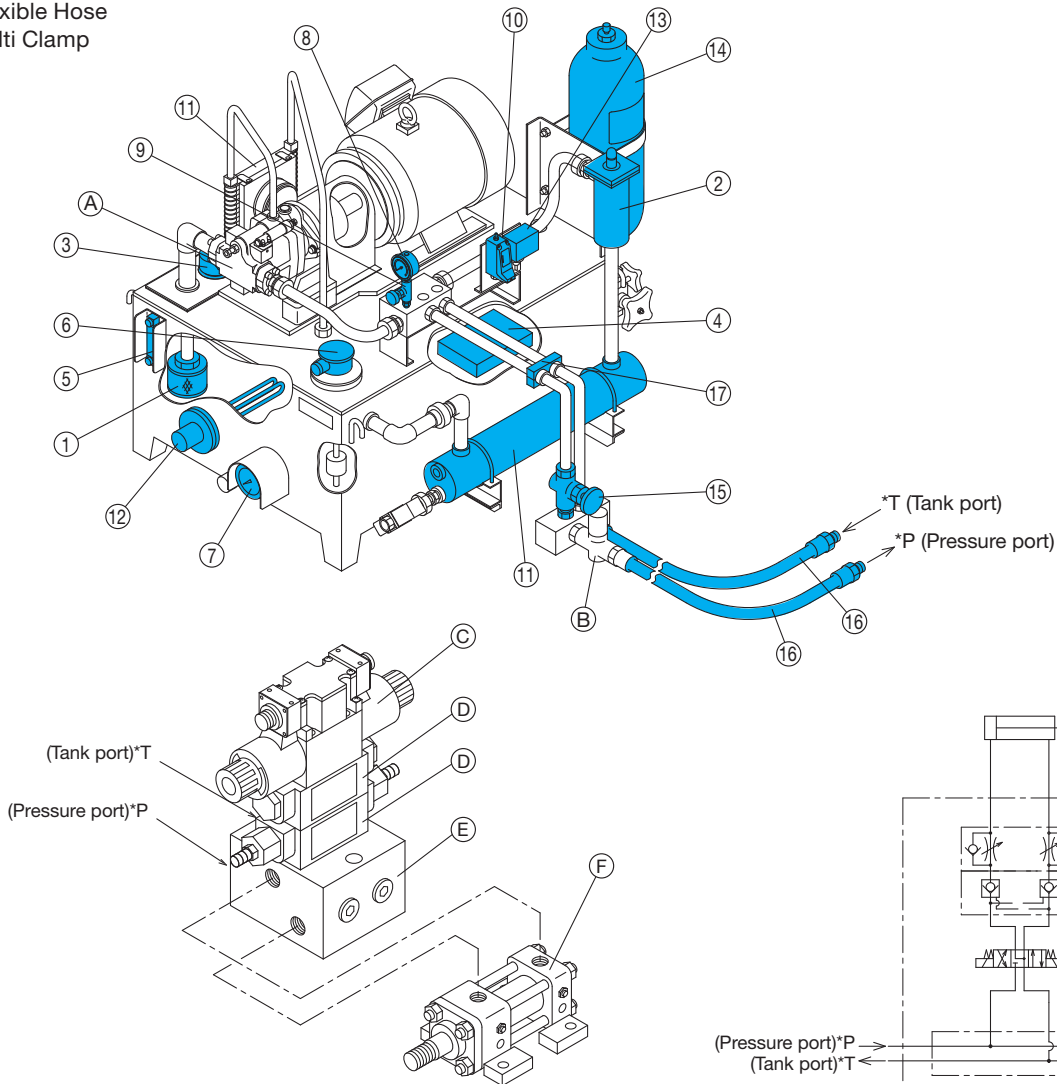
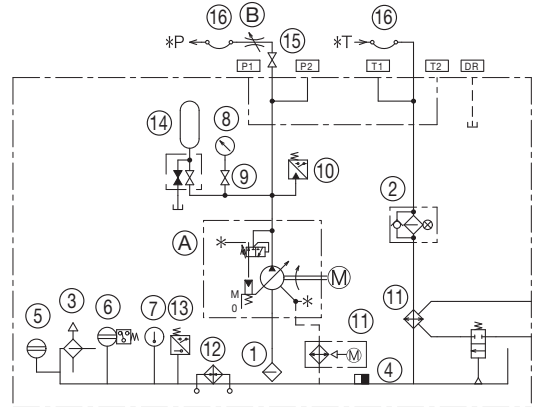
Hydraulic Accessories

Nachi hydraulic accessories are made possible through a long history of accumulated know-how, and provide you with the tools you need to configure the hydraulic circuits and systems you need.

Nachi accessories not only maximize the performance of your hydraulic system, they also provide you with the versatility to configure the simplest, most economical solution for virtually any type of system imaginable.

Use the illustration below to select the Nachi hydraulic accessories that best suit your needs.

- ① Strainer
 - ② Filter
 - ③ Air Breather
 - ④ Magnet Separator
 - ⑤ Fluid Level Gauge
 - ⑥ Fluid Switch
 - ⑦ Temperature Gauge
 - ⑧ Pressure Gauge
 - ⑨ Gauge Valve
 - ⑩ Pressure Switch
 - ⑪ Oil Cooler
 - ⑫ Heater
 - ⑬ Thermostat
 - ⑭ Accumulator
 - ⑮ Valves
 - ⑯ Flexible Hose
 - ⑰ Multi Clamp
- (A) Pump
 - (B) Throttle Valve
 - (C) Solenoid Valve
 - (D) Control Valve
 - (E) Base Block
 - (F) Hydraulic Cylinder



- For detailed specifications and dimensions of hydraulic accessories, see the "Hydraulic Accessories Catalog."
- Product not covered by ISO9001 registration