

Use NACHI hydraulics to save energy

NRRP ^{NEW} SERIES

Power package



Valve block can be installed

Energy saving

Power consumption: 50W^(*)
(approx. 95% down)

Low noise

57 dB (A) during operation
Zero noise during stop

Low heat output

Oil temperature is
room temperature + 7°C^(*)

Compact

35% smaller footprint
compared to our standard unit

Leak compensation

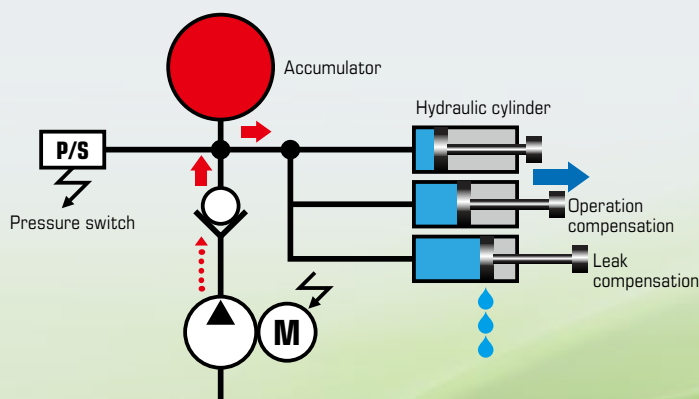
OPTION

When accumulator is installed

Pressure is maintained even
when it's stopped
to improve energy saving

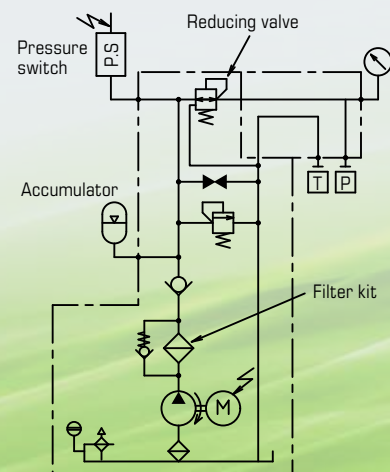
*1. These values are measured in machining center of our factory. They depend on the hydraulic circuit and the size and number of hydraulic cylinders installed on the machine.

Example of system configuration (machining center)



When the pressure switch reaches its upper limit, it stops the motor. The hydraulic pressure that is accumulated in the accumulator maintains the pressure in the circuit (compensates for cylinder operation and compensates for leak while maintaining pressure), and when the pressure switch reaches its lower limit, it starts the motor again. (Use the pressure switch signal to start and stop the motor.)

Hydraulic circuit



The pressure switch, accumulator, filter kit, and reducing valve are options. Select these options according to your application.

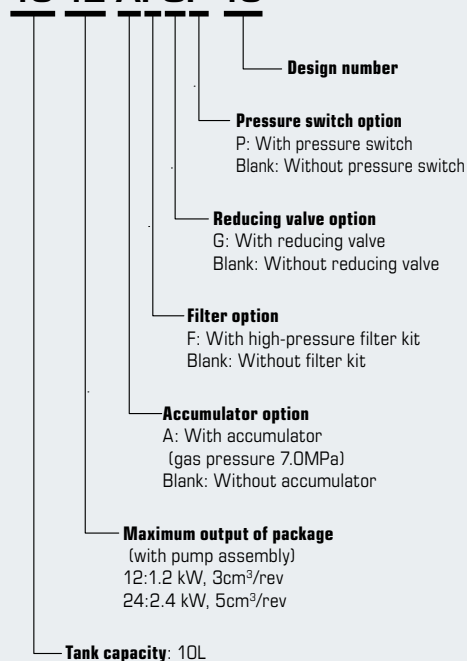
Package specifications

	NRP-10-12-10	NRP-10-24-10	Remarks
Pump capacity	3.0cm ³ /rev	5.0cm ³ /rev	
Motor output - Number of poles	1.2kW-4P	2.4kW-4P	S3: Intermittent operation
Rate of loaded operating time (per minute)	15% (9seconds)	10% (6seconds)	
Tank specification	Resin tank (10 liter)		
Options			
Pressure switch	1 output point (open collector)		Fixed pressure type
Accumulator	0.7 liters		
Reducing valve	Pressure adjustment range: 1.5 to 7.0 MPa		
Tank specifications	Steel-plate tank (10 liter)		Steel-plate tank has a special design number

Installation dimension

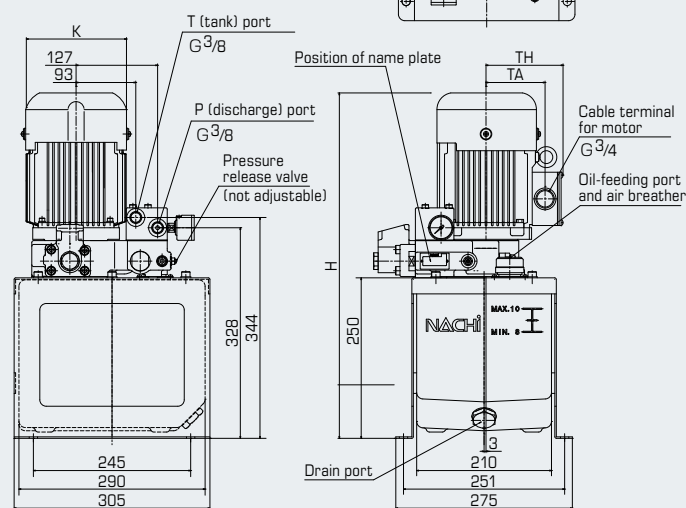
Explanation of model number

NRP-10-12-AFGP-10



Dimension Table

Output - Number of pole (kW - P)	Dimension (mm)				Weight (kg)
	H	K	TA	TH	
1.2-4	538	157	92	120	28.5
2.4-4	563	175	100	128	32.0



Handling precaution

- This power package is hydraulic system package for intermittent (on-off) operation. Do not operate it continuously. Read the operating instruction. There is risk of damaging the equipment if the motor or hydraulic oil overheats because of mis-operation or excessive operation under load.
- The accumulator is filled with nitrogen gas, so you must release the gas before disposing.
- Contact us for more information about shipping and installing the accumulator, which are subject to regulation.

NACHI

NACHI-FUJIKOSHI CORP.

<http://www.nachi.com>

Toyama Head Office

1-1-1 Fujikoshi-Honmachi, Toyama 930-8511 Tel: +81-(0)76-423-5111

Tokyo Head Office

Shiodome Sumitomo Bldg. 17F, 1-9-2 Higashi-Shinbashi, Minato-ku, Tokyo 105-0021 Tel: +81-(0)3-5568-5246

NACHI AMERICA INC. HEAD QUARTERS

715 Pushville Road, Greenwood, Indiana, 46143, U.S.A.

Tel: +1-317-530-1001

Fax: +1-317-530-1011

www.nachiamerica.com

NACHI EUROPE GmbH

Bischofstrasse 99, 47809, Krefeld, GERMANY

Tel: +49-(0)2151-65046-0

Fax: +49-(0)2151-65046-90

www.nachi.de

NACHI SINGAPORE PTE. LTD.

No.2 Joo Koon Way, Jurong Town, Singapore 628943, SINGAPORE

Tel: +65-65587393

Fax: +65-65587371

www.nachinip.com.sg

NACHI TECHNOLOGY (THAILAND) CO., LTD.

Unit 23/109(A), Fl.24th Sorachai Bldg., Sukhumvit 63 Road(Ekamai),

Tel: +66-2-714-0008

Fax: +66-2-714-0740

www.nachi.co.th

BANGKOK SALES OFFICE

Klongtonna, Wattana, Bangkok 10110, THAILAND

NACHI (SHANGHAI) CO., LTD.

11F Royal Wealth Center, No.7 Lane 98 Danba Road, Putuo District,

Tel: +86-(0)21-6915-2200

Fax: +86-(0)21-6915-5427

www.nachi-china.com.cn

Shanghai, 200062, CHINA

● The specifications are subject to change without prior notice due to improvement.

● Information contained in this catalog protected by copyright, so it is prohibited to copy, reprint, or reproduce in any manner without permission from NACHI.

CATALOG NO.

H9248E-2

2016.06.Y-MD-MIZUNO