

Compact × High Performance

# SRA100B/100J

● SRA100B/100J

200  
300  
400  
500  
600  
700  
Payload (kg)



## Compact

- Compact arm construction allows installation in small places  
Robot base: 500 mm wide  
Interference radius of frame: 366 mm

## High performance

- High-speed control of SRA series ultra-fast robots  
Provides world-class production efficiency
- Plenty of lifting power  
Payload capacity: 100 kg  
Wrist torque: 580 N·m (J4 and J5 axes)

# SRA100B/100J

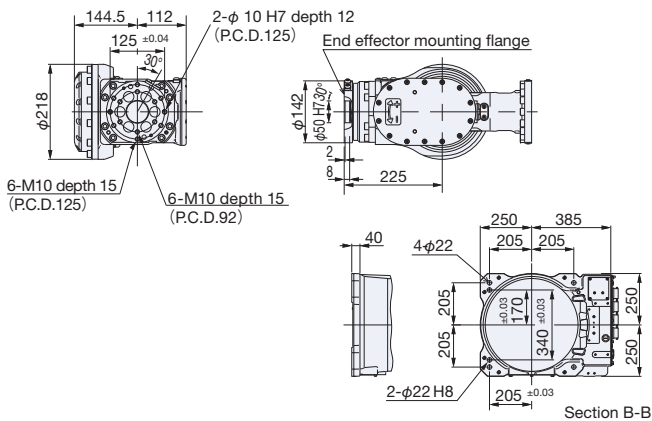
## ◆ Robot specifications

Item		Specifications	
Robot model		SRA100B-01	SRA100J-01
Structure		Articulated construction	
No. of axes		6	
Drive system		AC servo system	
Max. working envelope	J1 Swivel	$\pm 3.14\text{rad} (\pm 180^\circ)$	
	J2 Horizontal	$-2.09 \sim +1.05\text{rad} (-120^\circ \sim +60^\circ)$	
	J3 Vertical	$-2.62 \sim +3.14\text{rad} (-150^\circ \sim +180^\circ)$	$-2.18 \sim +1.57\text{rad} (-125^\circ \sim +90^\circ)$
	J4 Rotation 2	$\pm 6.28\text{rad} (\pm 360^\circ)$	
	J5 Bend	$\pm 2.36\text{rad} (\pm 135^\circ)$	
	J6 Rotation 1	$\pm 6.28\text{rad} (\pm 360^\circ)$	
Max. speed	J1 Swivel	2.37rad/s (136°/s)	
	J2 Horizontal	1.92rad/s (110°/s)	2.01rad/s (115°/s)
	J3 Vertical	2.27rad/s (130°/s)	2.79rad/s (160°/s)
	J4 Rotation 2	4.19rad/s (240°/s)	
	J5 Bend	4.07rad/s (233°/s)	
	J6 Rotation 1	6.13rad/s (351°/s)	
Payload	Wrist	100kg	
	Forearm <sup>1</sup>	25 kg (maximum 45 kg)	
Allowable static load torque	J4 Rotation 2	580N·m	
	J5 Bend	580N·m	
	J6 Rotation 1	290N·m	
Max. allowable moment of inertia <sup>2</sup>	J4 Rotation 2	45kg·m <sup>2</sup>	
	J5 Bend	45kg·m <sup>2</sup>	
	J6 Rotation 1	22.7kg·m <sup>2</sup>	
Max. reach	2,071mm	1,634mm	
Position repeatability <sup>3</sup>	$\pm 0.1\text{mm}$		
Installation	Floor mount		
Ambient conditions <sup>4</sup>	Temperature: 0 to 45°C Humidity: 20 to 85% RH (without condensation) Vibration at the installation surface: Not more than 0.5G (4.9 m/s <sup>2</sup> )		
Weight	690kg	670kg	

1[rad] = 180/π[°], 1[N·m] = 1/9.8[kgf·m]

- \*1: Load specification of number 1 arm varies according to wrist load conditions and installation position.
- \*2: Note that the allowable moment of inertia of wrist varies with the wrist load conditions.
- \*3: JIS B 8432 compliant.
- \*4: Permitted height is not higher than 1,000m above sea level. If used in higher place, permitted temperature is affected by height.

## Details of wrist attachment (same for SRA100B and SRA100J)



● The specifications are subject to changes without notice.

● In case that an end user uses this product for military purpose or production of weapon, this product may be liable for the subject of export restriction stipulated in the Foreign Exchange and Foreign Trade Control Law. Please go through careful investigation and necessary formalities for export.

## NACHI-FUJIKOSHI CORP.

### Tokyo Head Office

Shiodome Sumitomo Bldg. 17F 1-9-2 Higashi-shinbashi, Minato-ku, Tokyo 105-0021, JAPAN  
Tel: +81-(0)3-5568-5245 Fax: +81-(0)3-5568-5236

### Toyama Head Office

1-1-1 Fujikoshi-Honmachi, Toyama 930-8511, JAPAN  
Tel: +81-(0)76-423-5111 Fax: +81-(0)76-493-5211

### NACHI ROBOTIC SYSTEMS INC.

42775 West 9 Mile Road, Novi, Michigan, 48375, U.S.A.  
Tel: +1-248-305-6545 Fax: +1-248-305-6542  
URL: <http://www.nachirobotics.com/>  
E-mail: [marketing@nachirobotics.com](mailto:marketing@nachirobotics.com)

### NACHI BRASIL LTDA. SAO PAULO BRANCH

Av. Paulista, 453, Primeiro Andar, Conj. 11, 12, 12 e 14, Cerqueira Cesar, Sao Paulo-SP, CEP: 01311-000, BRASIL  
Tel: +55-11-3284-9844 Fax: +55-11-3284-1751

### NACHI EUROPE GmbH

Bischofstrasse 99, 47809, Krefeld, GERMANY  
Tel: +49-(0)2151-65046-0 Fax: +49-(0)2151-65046-90  
URL: <http://www.nachirobotics.eu/>

### NACHI TECHNOLOGY (THAILAND) CO., LTD.

5/5 M, 2, Rojana Industrial Estate Nongbua, Ban Khai, Rayong, 21120, THAILAND  
Tel: +66-38-961-682 Fax: +66-38-961-683

### PT.NACHI INDONESIA

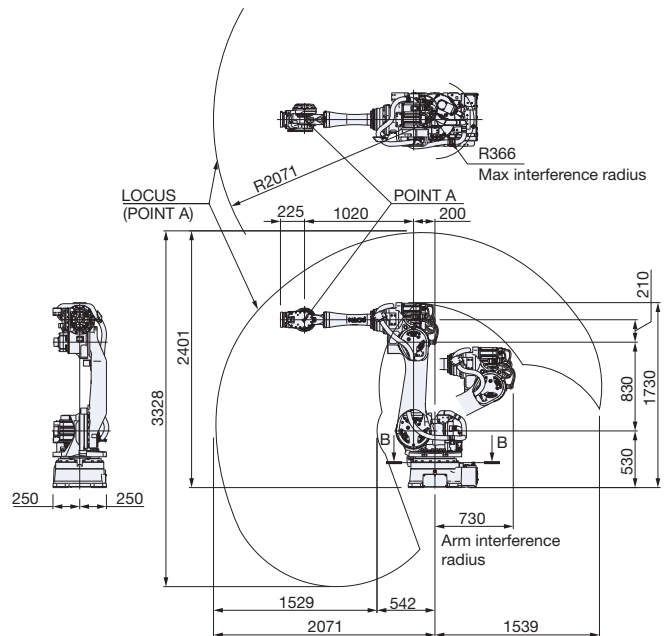
Jl.H.R.Rasuna Said Kav.X-O Kuningan, Jakarta 12950, INDONESIA  
Tel: +62-021-527-2841 Fax: +62-021-527-3029

### NACHI KG TECHNOLOGY INDIA PVT. GURGAON HEAD OFFICE

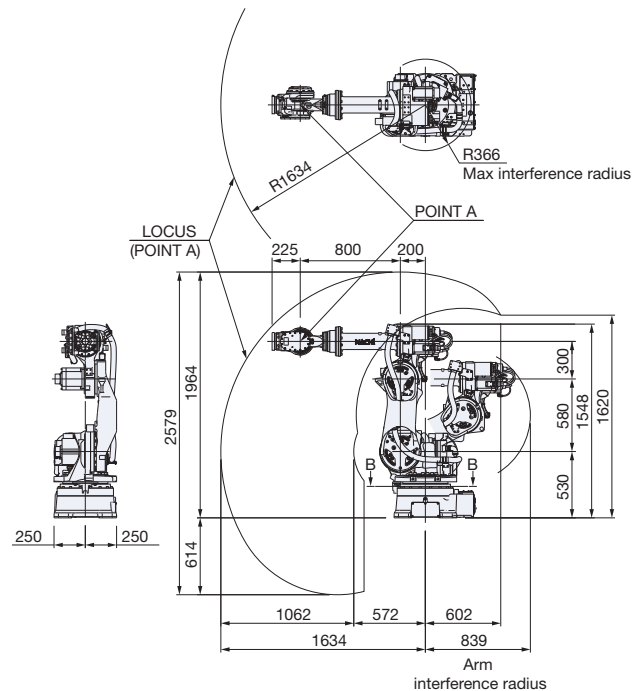
Unit No.207, Sewa Corporate Park, MG Road, Iffco Chowk, Gurgaon-122001, INDIA  
Tel: +91-124-450-2900 Fax: +91-124-450-2910

## ◆ Exterior dimensions and working envelope

### SRA100B-01



### SRA100J-01



CATALOG NO. R7203E-2

2013.11.V-ABE-ABE