

**NACHI**

**Best-in-Class maximum reach**

Achieved high conveyance capacity with a large reach of up to 3210mm

**Small interference area**

The wrist wiring, signal line, and air hose are internalized to avoid interference with the workpiece.

**Full range of application wiring**

Supports up to 40 signal wires, also supports Ethernet LAN and additional axes.

**Leads its class in speed in precision**

High-speed palletizing robot **NEW**

# LPA180



Robot specifications

Item		Specification	
Robot model		LPA180-01	
Construction		Articulated construction	
Number of axes		4	
Drive system		AC servo system	
Max. operating area	Arm	Axis 1	±3.14rad
		Axis 2	+0.79 ~ -1.66rad
		Axis 3	+0.31 ~ -2.05rad
	Wrist	Axis 4	±6.28rad
Max. velocity <sup>1</sup>	Arm	Axis 1	2.44rad/s
		Axis 2	2.18rad/s
		Axis 3	2.27rad/s
	Wrist	Axis 4	6.98rad/s
Max. Payload	Wrist	Max	180kg
		rated	130kg
	Arm 1 <sup>2</sup>		Max. 25kg
Max. allowable wrist moment of inertia	Axis 4	69kgm <sup>2</sup>	
Repeatability <sup>3</sup>		±0.09mm	
Operating pressure		-101.3 ~ 690kPa	
Air piping		IN: Rc1/2x4, OUT: φ12x4	
Signal line for applications		40 circuits (up to wrist)	
Installation method		Floor	
Installation conditions	Ambient temperature	0 ~ 45°C <sup>4</sup>	
	Ambient humidity	20 ~ 80%RH (No dew or frost allowed)	
	Vibration	Not more than 0.5G (4.9m/s <sup>2</sup> )	
Robot mass		1,150kg	

1 (rad)=180/π(\*), 1 (N·m)=1/9.8(kgf·m)

\* The specifications are subject to changes without notice for product improvement.

\* Axis 1 - Axis 4 are displayed as J1-J4 each on the controller screen.

\* Explosion-proof version is not available.

\*1: The maximum speed in the table is the maximum value when the wrist load is 130kg or less, and will vary depending on the work program and wrist load conditions.

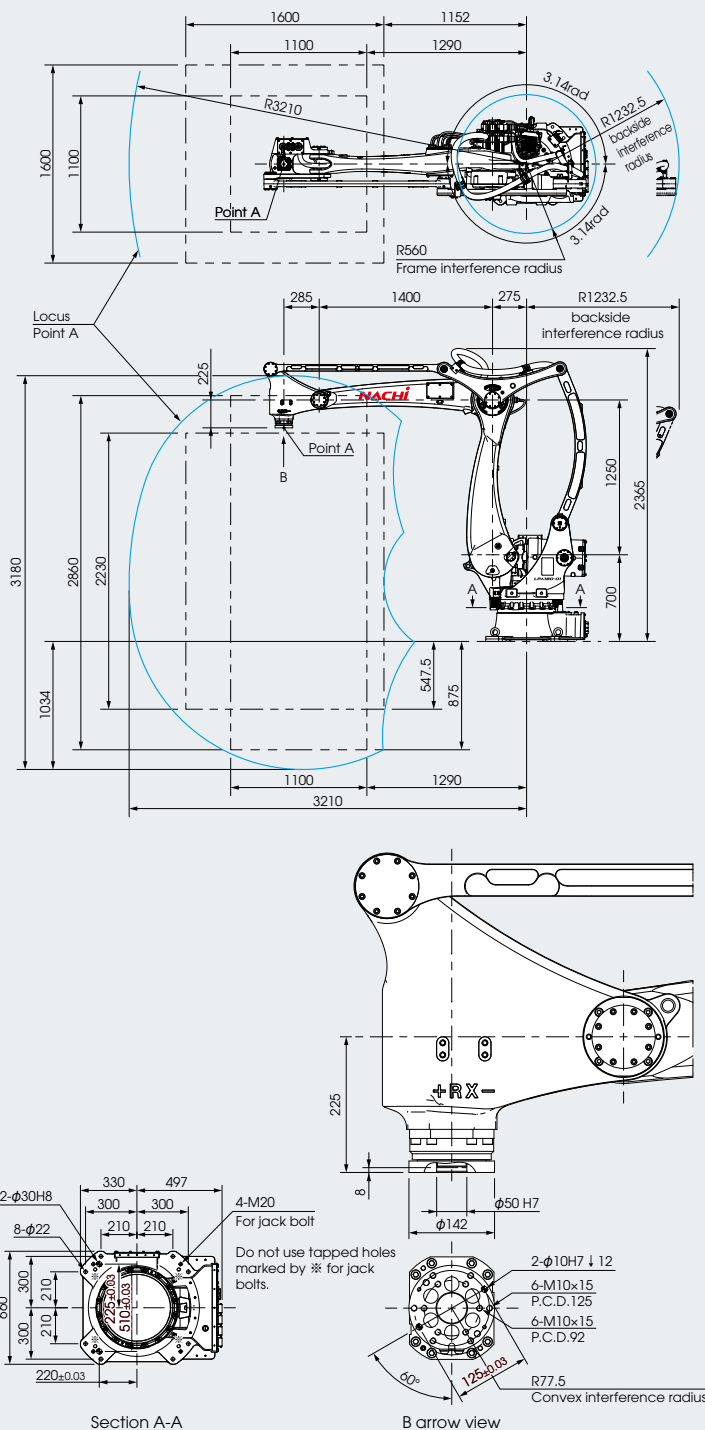
\*2: Changes depending on the wrist load conditions and the installation position

\*3: JIS B 8432 compliant.

\*4: Up to a maximum of 1000m from sea level. Ambient temperature is reduced when allowable altitude is exceeded.

Dimensions and operating range

Easily replaceable with conventional LP130/180



**NACHI**  
NACHI-FUJIKOSHI CORP.

www.nachi.com

Head Office Shiodome Sumitomo Bldg. 17F, 1-9-2 Higashi-Shinbashi, Minato-ku, Tokyo 105-0021  
Robot Division 1-1-1 Fujikoshi-Honmachi, Toyama 930-8511, JAPAN

Tel: +81-(0)3-5568-5111  
Tel: +81-(0)76-456-2223

Fax: +81-(0)3-5568-5206  
Fax: +81-(0)76-493-5252

NACHI ROBOTIC SYSTEMS INC.  
NACHI EUROPE GmbH  
NACHI TECHNOLOGY (THAILAND) CO., LTD.  
PT.NACHI INDONESIA  
NACHI-FUJIKOSHI (CHINA) CO., LTD.

Michigan, U.S.A.  
GERMANY  
THAILAND  
INDONESIA  
CHINA  
Tel: +1-248-305-6545  
Tel: +49-(0)2151-65046-0  
Tel: +66-2-258-4101  
Tel: +62-021-527-2841  
Tel: +86-(0)21-6915-2200

Fax: +1-248-305-6542  
Fax: +49-(0)2151-65046-90  
Fax: +66-2-258-4103  
Fax: +62-021-527-3029  
Fax: +86-(0)21-6915-5427

http://www.nachirobotics.com  
http://www.nachi.de/  
http://www.nachi.co.th/  
http://www.nachi.co.id/  
https://www.nachi.com.cn/

●The specifications are subject to changes without notice.  
●In case that an end user uses this product for military purpose or production of weapon, this product may be liable for the subject of export restriction stipulated in the Foreign Exchange and Foreign Trade Act. Please go through careful investigation and necessary formalities for export.

CATALOG NO. R7416E

2024.05.Z-MD-ABE