

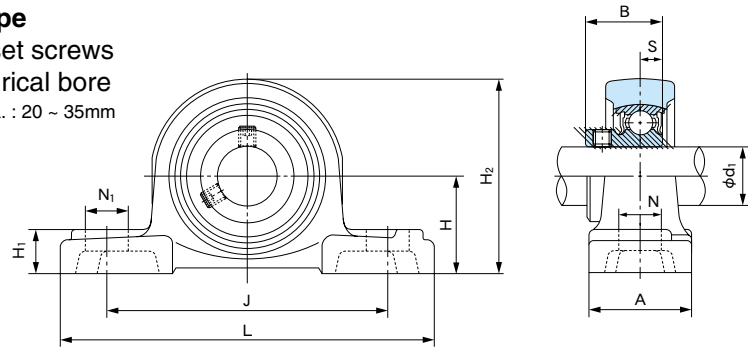
Pillow Block Units

BP type

With set screws

Cylindrical bore

Shaft dia. : 20 ~ 35mm



1N=0.102kgf

Shaft dia. d ₁ (mm)	Unit No.	Boundary dimensions (mm)										Bolt size	Bearings		Housing No.	Mass of Unit (kg)	
		H	L	A	J	N	N ₁	H ₁	H ₂	B	S		No.	Basic load rating (N)			
														Cr			Cor
20	BP204	33.3	127	38	95	13	19	15	65	24.7	7	M10	B4	12800	6600	P204 G00	0.61
25	BP205	36.5	140	38	105	13	16	16	70	27	7.5	M10	B5	14000	7900	P205 G00	0.76
30	BP206	42.9	165	48	121	17	21	18	83	30.3	8	M14	B6	19600	11300	P206 G00	1.2
35	BP207	47.6	167	48	127	17	21	19	94	32.9	8.5	M14	B7	25900	15400	P207 G00	1.6

