

Fast palletizing robot

# LP130F



## High-speed handling

**1,800** packages per hour at maximum (for 130kg loads)

(Improvement of **20** % compared with the conventional model)

High performance based on the large capacity motor and the enhanced optimized motion control

\* Motion pattern: 400mm in vertical direction, 2,000mm in horizontal direction and 60 degree in swivel movement

## Flexible palletizing

Flexible layout of work-piece of various shapes/sizes due to the wide operation range

(Pallet area size: 1,600mm squares and the height is up to 2,212mm)

Handling with suitable hand (option) for the work-piece is available

## Compact layout

The large motion range and the space saving design reducing the interference amount realize the compact and flexible design of the equipments

## Easy operation

Easy setup due to an interactive interface

Easy programming by interactive program generator



## Robot specifications

Item		Specifications	
Robot model		LP130F-01	
Structure		Articulated	
Number of axes		4	
Drive system		AC servo system	
Max. operating envelope	Arm	J1 Swivel	$\pm 3.14\text{rad}$ ( $\pm 180^\circ$ )
		J2 Forward/backward	$+0.71 \sim -1.65\text{rad}$ ( $+40 \sim -94.5^\circ$ )
		J3 Upward/downward	$+0.30 \sim -2.04\text{rad}$ ( $+17 \sim -116^\circ$ )
Max. velocity	Arm	J1 Swivel	2.53rad/s ( $145^\circ/\text{s}$ )
		J2 Forward/backward	2.01rad/s ( $115^\circ/\text{s}$ )
		J3 Upward/downward	2.01rad/s ( $115^\circ/\text{s}$ )
Max. payload	Wrist	130kg	
	Forearm*1	Max. 25kg	
Allowable moment of inertia for wrist	J4 Rotation	50kgm <sup>2</sup>	
Position repeatability*2		$\pm 0.3\text{mm}$	
Operating pressure		-101.3~690kPa	
Air piping		2- $\phi 12 \times 8$ (to the wrist)	
Application wirings		20 circuits (to the wrist) 6 circuits (to the forearm)	
Installation		Floor	
Ambient conditions		Ambient temperature: $0 \sim 45^\circ\text{C}^{*3}$ Ambient humidity: $20 \sim 85\%$ RH (without condensation) Vibration: Not more than 0.5G	
Robot mass		1,150kg	

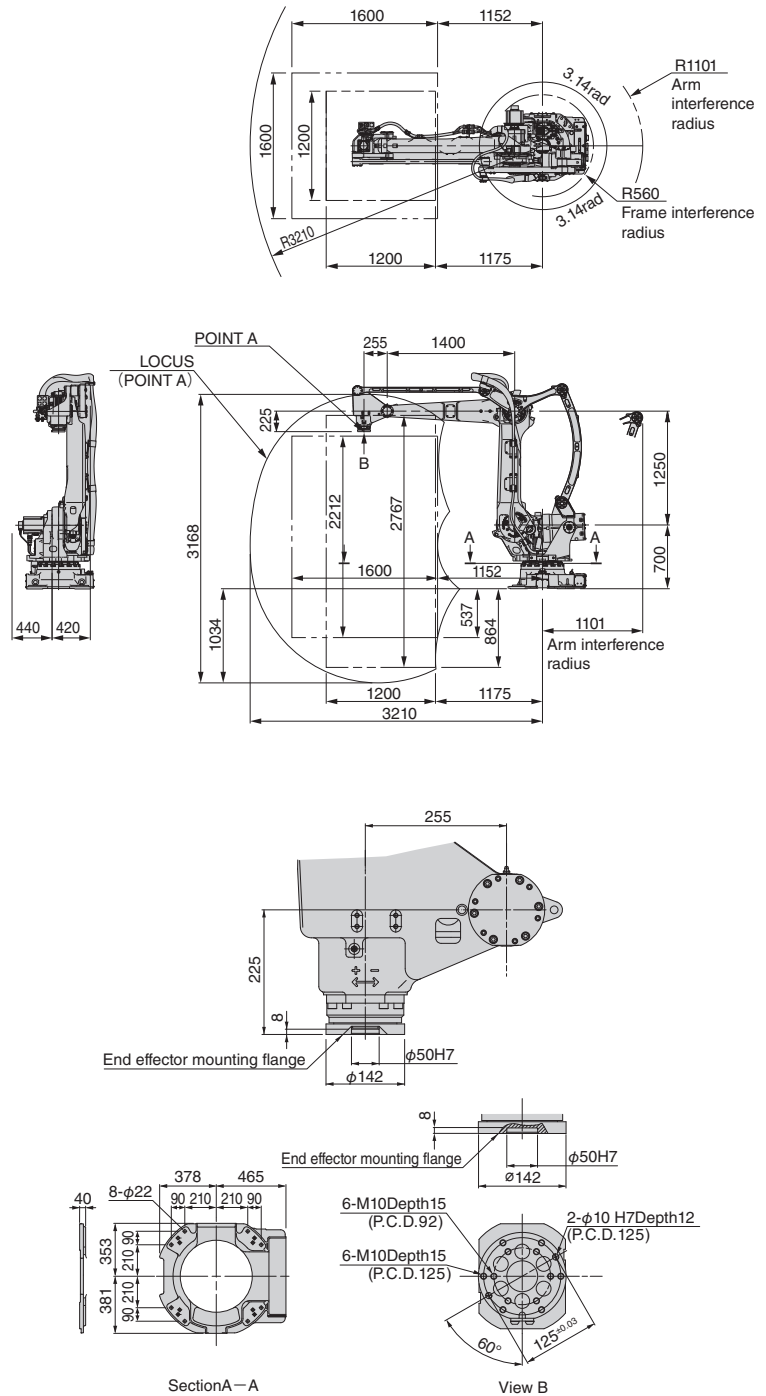
1[rad] =  $180/\pi$  [ $^\circ$ ], 1 [N·m] = 1/9.8 [kgf·m]

\*1: This number varies due to the attachment position and wrist payload weight.

\*2: This value conforms to "JIS B 8432".

\*3: Permitted height is not higher than 1,000m above sea level. If used in higher place, permitted temperature is affected by height.

## Exterior dimensions and operating envelope



● The specifications are subject to changes without notice.

● In case that an end user uses this product for military purpose or production of weapon, this product may be liable for the subject of export restriction stipulated in the Foreign Exchange and Foreign Trade Act. Please go through careful investigation and necessary formalities for export.

## NACHI-FUJIKOSHI CORP.

### Tokyo Head Office

Shiodome Sumitomo Bldg. 17F 1-9-2 Higashi-shinbashi,  
Minato-ku, Tokyo 105-0021, JAPAN

Tel: +81-(0)3-5568-5245 Fax: +81-(0)3-5568-5236

### Toyama Head Office

1-1-1 Fujikoshi-Honmachi, Toyama 930-8511, JAPAN

Tel: +81-(0)76-423-5111 Fax: +81-(0)76-493-5211

### NACHI ROBOTIC SYSTEMS INC.

42775 West 9 Mile Road Novi, Michigan, 48375, U.S.A.

Tel: +1-248-305-6545 Fax: +1-248-305-6542

URL: <http://www.nachirobotics.com/>

E-mail: [marketing@nachirobotics.com](mailto:marketing@nachirobotics.com)

### NACHI BRASIL LTDA.

Avenida João XXIII, No.2330, Jardim São Pedro, Mogi

das Cruzes, S.P., CEP 08830-000, BRASIL

Tel: +55-11-4793-8813

URL: <http://www.nachi.com.br/>

### NACHI EUROPE GmbH

Bischofstrasse 99, 47809, Krefeld, GERMANY

Tel: +49-(0)2151-65046-0 Fax: +49-(0)2151-65046-90

URL: <http://www.nachirobotics.eu/>

### NACHI TECHNOLOGY (THAILAND) CO., LTD.

#### BANGKOK SALES OFFICE

Unit 23/109(A), Fl.24th Sorachai Bldg., Sukhumvit 63

Road(Ekamai), Klongtonnua, Wattana, Bangkok 10110,

THAILAND

Tel: +66-2-714-0008 Fax: +66-2-714-0740

#### PT.NACHI INDONESIA

TEMPO PAVILION I, 7FL JL. HR Rasuna Said Kav.10-11

Setiabudi Jakarta Selatan DKI Jakarta -12950, INDONESIA

Tel: +62-021-527-2841 Fax: +62-021-527-3029

#### NACHI KG TECHNOLOGY INDIA PVT.

#### GURGAON HEAD OFFICE

Unit No.207, 2nd Floor, Sewa Corporate Park, MG

Road, Iffco Chowk, Gurgaon 122001, Haryana, INDIA

Tel: +91-(0)12-4450-2900 Fax: +91-(0)12-4450-9210

CATALOG NO.

R7415E

2015.07X-ABE-ABE